



ASSEMBLY GUIDE

PROMETHEUS | CALISTO | NARVI

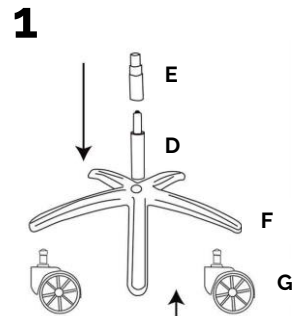
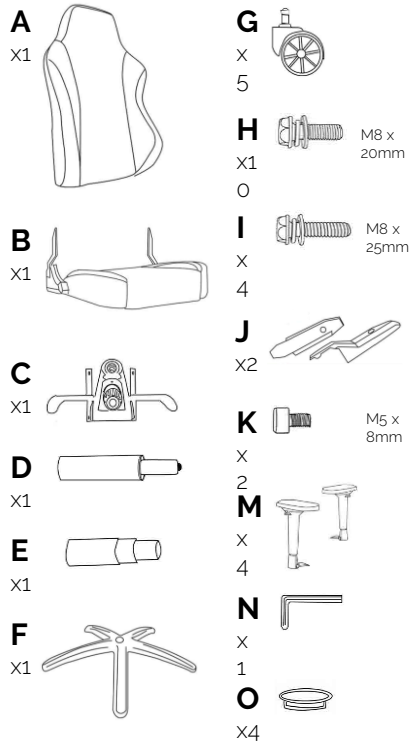
WELCOME

We would like to thank you for acquiring a unique and exclusive Horizon 47 chair. Embark on a journey of comfort, luxury and customization like no other. In this assembly guide you can find all the necessary information to assemble your H47 chair.

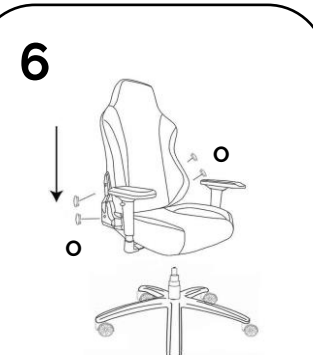
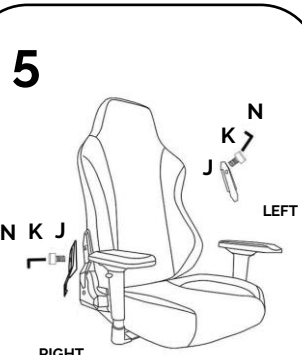
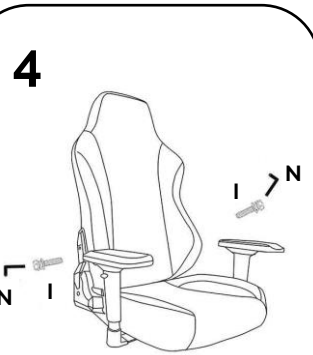
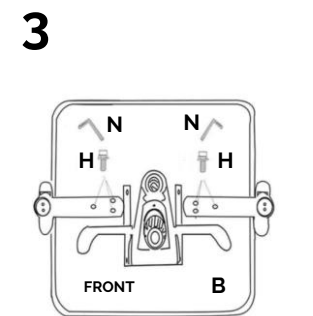
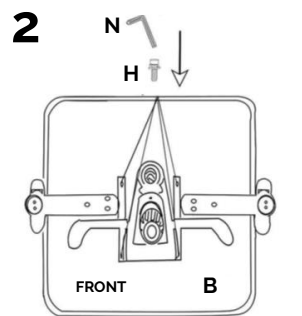
SAFETY INFORMATION

We suggest two persons to assemble the chair. Read the information carefully and contact us if you have any question (info@horizon47.com). Do not seat in the edge of the chair; Do not stand in the chair; Chair is intended for one person only; Do not place all your weight in the backrest only; Do not push the chair or the backrest down when someone is seated.

PACKAGE CONTENTS



ASSEMBLY PROCEDURE



USAGE INFORMATION

BACKREST RECLINE

Pull up the lever on your right side and lean back slowly until the backrest is at your desired angle, then return the lever to the original position. Make sure the lever locks back in place.

4D ARMRESTS

Press and hold the inside front button to move forward/back or angled sideways. Inner side button to move sideways. Lever on the outsider to adjust height. If you have upholstered armrests accessory just place it on top of the armrest and apply pressure.

TILT TENSION

Turn the knob clockwise to loosen the tilting mechanism, anti-clockwise to tighten. Adjust accordingly to your weight.

MULTI-TILT MECHANISM

Pull the right lever to adjust the height (while seated). Push down the left lever to lock the tilt mechanism and up to unlock.

LUMBAR ADJUSTMENT

Turn the knob clockwise to increase the lumbar support, anti-clockwise to decrease it.

MAGNETIC HEAD PILLOW

Place the pillow in the top part of the backrest. There are three available positions.